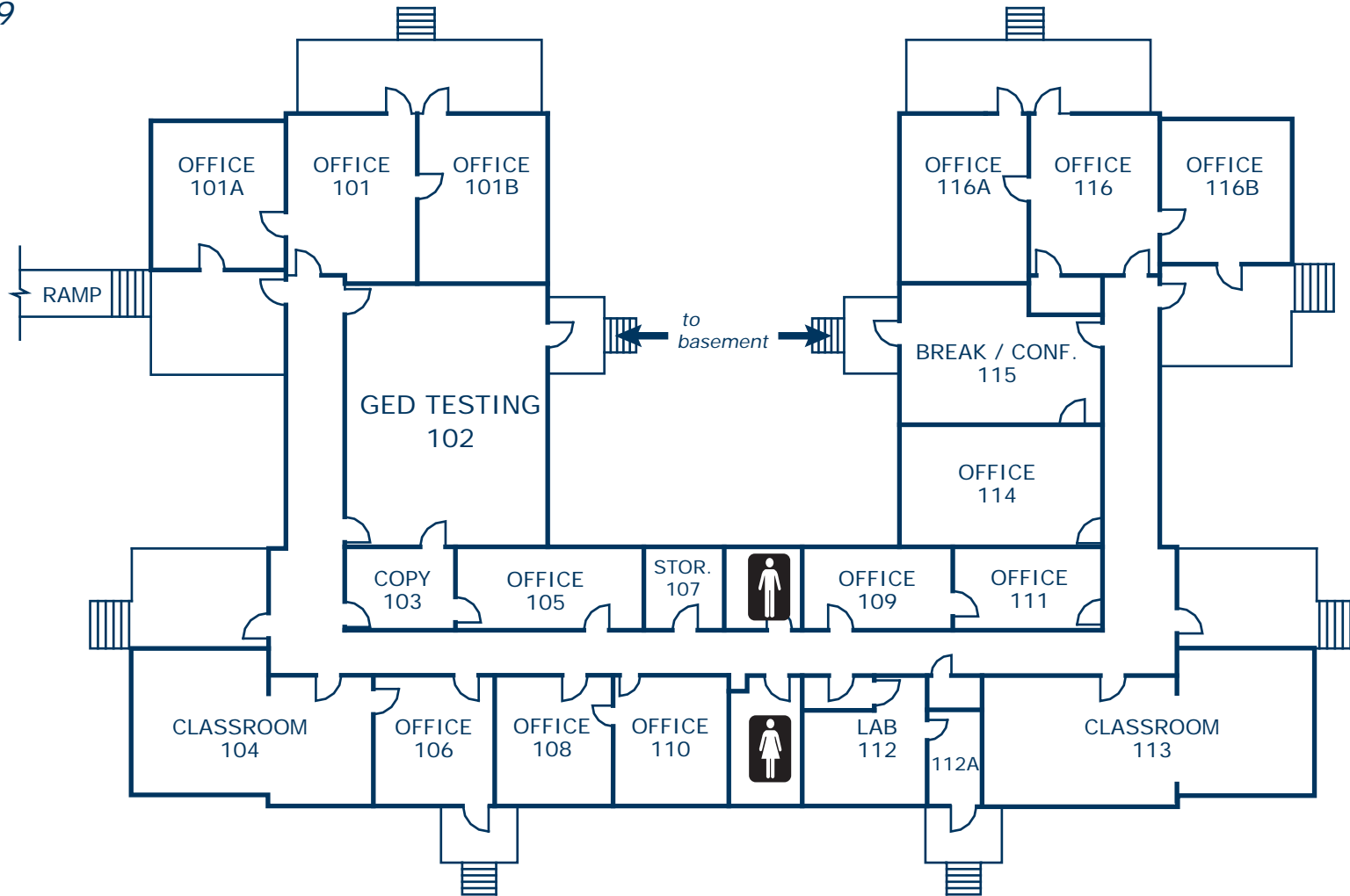


# METROPOLITAN COMMUNITY COLLEGE

5370 North 30th Street • Omaha, NE 68111 • www.mccneb.edu  
Information: 402-457-2400  
Public Safety: 402-457-2222

*\*For Severe Weather Area;  
Go to basement of this building or to  
the basement of Building 8 (Library).*

## Fort Omaha Campus Building 9



FOC-9 First Floor

Last updated 10/26/2011

